



# PPD News

Physical Plant Department

## Inside this issue:

**Workout Equipment** 2

**Kudos** 3

**BeKind Initiative** 3

**Scheduled Fire Drill** 3

**Upcoming Events** 4

**Outstanding Supervisor Nomination** 4

**W-2 Distribution** 4

## In Memoriam

It is with great sadness to announce that Richard West, custodian for Main Campus Custodial Services, passed away on December 22, 2015. He had been a custodian with Main Campus Custodial Services since October of 2014. Maria Pacheco, Richards’s supervisor said that Richard was well liked by everyone in the department, and he was always happy and willing to take on any tasks that were assigned to him. “Everyone really enjoyed working with Rich,” said Pacheco.

At this time no services has been scheduled and will be held in the coming months.



*Richard West, custodian with Main Campus Custodial Services. Photo credit: Jannelle Trujillo*

## PPD Director leaves for Texas A&M

The Physical Plant Department (PPD) director, Jeff Zumwalt, has accepted a position at Texas A&M working in Utilities and Energy Services. His last day at UNM will be January 22, 2016.

*“UNM is a very special place because of the very special people who work here. I have been very fortunate to have become acquainted with much of the UNM community. So, I’m leaving UNM excited about future opportunities but also a little sad because I’m going to miss so many friends,” says Zumwalt.*

Zumwalt has been the director of PPD since September of 2014, and has spearheaded many new initiatives. They include the PPD Way, benchmarking operating performance, assessing capital needs, and streamlining the project process.



*Jeff Zumwalt, director of UNM Physical Plant Department.*

No announcement has been made as to who will fill his vacant position after January 22<sup>nd</sup>, but be assured that the normal day-to-day operations at PPD will not be affected. PPD’s leadership team is currently working to develop a short term plan to minimize any disruptions to the administrative functions of PPD.



# Service Building Workout Room will house updated Equipment

The Service Building Workout Room is a convenient place to work out, and it's provided at no cost to employees. Recently, Rick Henrard, director of Planning, Design, and Construction (PDC), and Mike Reid, manager with PDC, have acquired some workout equipment at a very low cost that will replace the equipment currently in this room.

PPD and PDC have collaborated to purchase this equipment in order to update the quality of equipment and encourage more use amongst staff in the Service Building. Employee wellness is a core value within Institutional Support Services (ISS) and is being demonstrated by this initiative.

“Not one other department in this University has provided what you have for your employees... that is something to be incredibly proud of. You are investing in your employees’ wellness... kudos to you!” says Tracey Briggs, supervisor of the Wellness Program with Employee Health Promotion.

Briggs worked with Reid and Henrard to design the layout of the new equipment and space, and she has offered to hold orientation classes for individuals interested in learning how to use the new equipment safely and for maximum results.

The new equipment will include an elliptical machine, two stationary bicycles (one of them will be a recumbent bike), exercise balls, an FTS Glide dual stack cable resistance training system, and a new rack for the free weights (see schematic below).

If you are currently using the workout room, and would like more information about the new equipment, please contact Mike Reid at 220-6256 or [mreid@unm.edu](mailto:mreid@unm.edu) or Tracey Briggs at 277-4996 or [trbriggs@unm.edu](mailto:trbriggs@unm.edu).

The new equipment should be in place sometime in February.

## Furniture

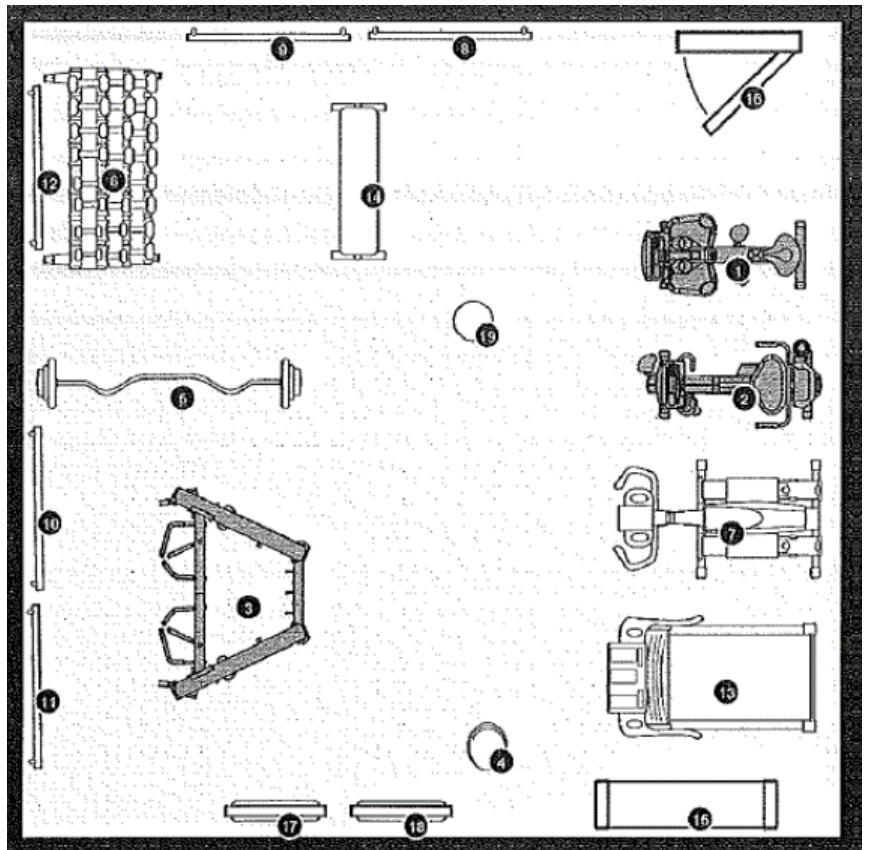
### Product Name

- 1 Integrity Series Upright Exercise Bike
- 2 Integrity Series Recumbent Exercise Bike
- 3 Signature Series Cable Motion Dual Adj. ...

### Other Items

#### Item

- 4 ball stacker, 6 medicine balls
- 5 barbell, ez curl, 5 bar rack
- 6 dumbbell set, lateral (12 pair)
- 7 elliptical trainer, simple II
- 8 mirror, 4 ft wide x 8 ft tall
- 9 mirror, 4 ft wide x 8 ft tall
- 10 mirror, 4 ft wide x 8 ft tall
- 11 mirror, 4 ft wide x 8 ft tall
- 12 mirror, 4 ft wide x 8 ft tall
- 13 treadmill, simple II
- 14 weight bench, simple I
- 15 wall shelf
- 16 swing left door
- 17 window



## Kudos

*Email sent December 30, 2015*

Good morning John [Cox],

I wanted to tell you how helpful Phred Dixon was in helping us solve a major problem yesterday. The 4oC walk-in cold room was rapidly becoming warmer, as spotted by my technician Nicole, who had gone in on her day off to do some work. I called the UNM police who relayed the request to PPD. Phred called me back really quickly, which was amazing as I can only imagine how many problems he was dealing with yesterday. He worked with you and myself throughout the day to get the problem solved, which ended up taking two contractors and most of the day. I got the impression that resources to solve problems over the holiday break were few and far between, but he preserved, calling various folks to get the resources we needed. Both contractors who came were great and worked hard to solve the problem. Four Winds Mechanical whom he called were GREAT!

Phred, I really appreciate your help with this problem and especially that you got it solved before any damage could be done! This room contains hundreds, if not thousands of samples from all over the world, which belong to multiple investigators. This would have been a monumental loss if the room had warmed much more. Thanks to Nicole Caimi for calling me on her day off to tell me about the problem!

Happy New Year everyone!

Diana E. Northup, Ph.D.

Visiting Associate Professor, Biology

## PPD Supports Student Affairs' Be Kind Initiative

You may have noticed that a few PPD vehicles have been sporting new car magnets. As part of the BeKind initiative spearheaded by the Division of Student Affairs, PPD will begin placing these magnets on the bumpers of its vehicles to promote kindness, courtesy, and safe driving. To read more about this BeKind initiative, please visit <http://news.unm.edu/news/unm-bekind-initiative-provides-small-kindness-reminders>.

The car magnets and stickers are FREE and available for pick in the UNM Student Affairs office, located on the UNM main campus, Scholes Hall, Room 229 (1800 Roma NE). There is also a larger, downloadable sign that can be obtained on the [UNM BeKind webpage](#) and used as a reminder in the office, home, or anywhere.



## Service Building Fire Drill scheduled for January 20th

The Service Building (204) will have a scheduled fire drill and alarm test on Wednesday, January 20th at 9:00 am. As a reminder for those who are in the building at the time of the test, all PPD staff are to proceed to the nearest exit and to meet at the Quonsets located on the west side of the building. Additional details (if any) will be coming soon.

## Upcoming Events

- Martin Luther King Jr. Day January 18, 2016
- UNM Classes Begin January 19, 2016
- Daylight Savings March 13, 2016
- Spring Break March 14-18, 2016
- Fiestas April 16, 2016
- Sustainability Fair April 21, 2016

## W-2 Distribution

UNM Human Resources has announced that the 2015 Form W-2 will be delivered to all UNM employee mailing addresses that are on file no later than February 1, 2016, and it will be accessible online in [LoboWeb](#) on February 1, 2016.

*Please verify and update your mailing address at <https://dss.unm.edu/> by January 15, 2016.*

## Nominate your Outstanding Supervisor

Outstanding supervisors can create a profound ripple effect in their organizations. Their behavior, integrity, and treatment rubs off on others for the better. Not only do supervisors directly impact their team members, but they indirectly affect others. The people they supervise and manage frequently move on to lead others, often in a way that emulates how they were supervised.

In collaboration with President Frank, Chancellor Roth, and Provost Abdallah, Staff Council and Human Resources is pleased to announce a new staff award program called the Outstanding Supervisor Award. This award will recognize supervisors who create work environments that facilitate work-life balance, professional development and effective leadership in support of the values and mission of the University. Each year, between two and three recipients will be honored with a plaque, and a \$1000 cash award. Click [here](#) to read more about the award program and to download a nomination form. Attached to the nomination form, you will find some "helpful hints" to guide you in completing your nomination. **The deadline for nominations is 5:00 p.m. on Friday, January 22, 2016.**

*THE PHYSICAL PLANT DEPARTMENT'S MISSION IS TO CONSISTENTLY DELIVER EFFECTIVE PROGRAMS AND EFFICIENT FACILITY SERVICES BASED ON SUSTAINABLE AND COLLABORATIVE OUTCOMES ALIGNED WITH THE UNIVERSITY OF NEW MEXICO'S CORE MISSION.*

*THE PHYSICAL PLANT DEPARTMENT'S VISION IS THAT OUR COMMUNITY, STATE, AND NATIONAL PEERS WILL RECOGNIZE THE UNIVERSITY OF NEW MEXICO'S PHYSICAL PLANT DEPARTMENT AS A LEADER IN CAMPUS SUSTAINABILITY AND FACILITIES STEWARDSHIP.*

*The University of New Mexico*

*Physical Plant Department*

*MSC07 4200*

*1 University of New Mexico*

*Albuquerque, NM 87131-0001*

*Phone: 505-277-2421*

[www.iss.unm.edu/ppd/](http://www.iss.unm.edu/ppd/)



THE UNIVERSITY of  
NEW MEXICO

*Physical Plant Department*

